

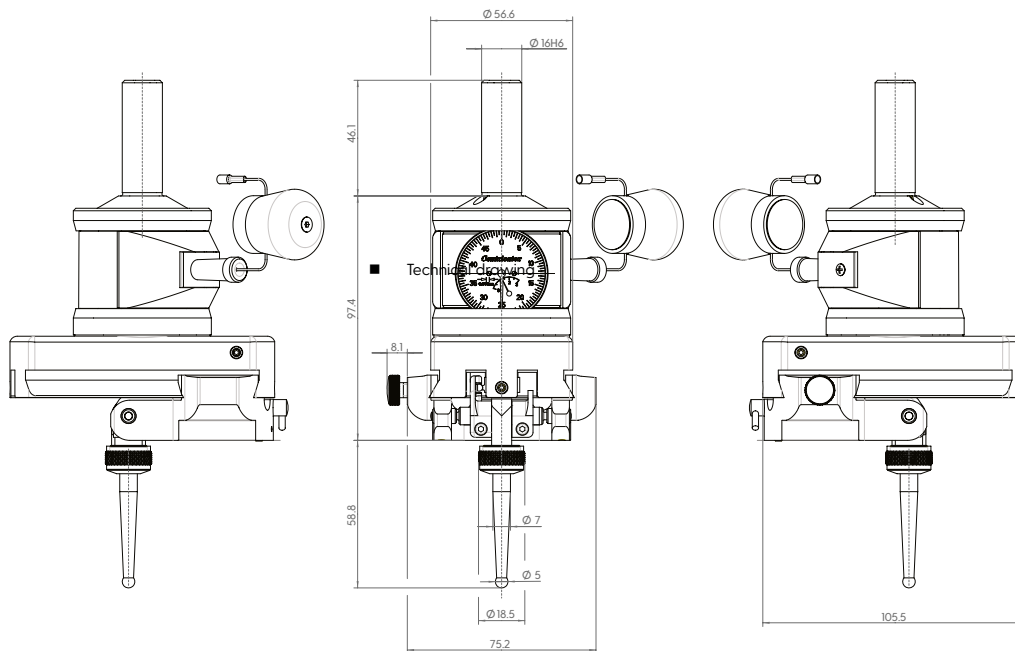


Centre finder Centricator CIII-S

MADE IN GERMANY

The high-precision centre finder Centricator CIII-S will allow you to quickly and accurately align the centre of bores or cylindrical workpieces.

Technical drawing



Benefits

- Working accuracy of 5 µm
- Dial gauge with scale value of 0.005 mm
- 1 probe tip with ball Ø 5 mm (for bore) straight

Item number

- Haff & Schneider Art. No. 132918

Technical Data

- Measuring accuracy of dial gauge: 0.005 mm
- Inside touch probe range: Ø: 2 – 400 mm
- Outside touch probe range: Ø: 0 – 300 mm
- Flat faces: 90 – 480 mm
- Inside probe depth: 0 – 150 mm
- Outside probe depth: 0 – 150 mm
- Dimensions: 105 x 75 x 156 mm
- Weight: 900 g

Accessories

- Probe tip with ball Ø 5 mm straight: Art. No. 130240
- Probe tip with ball Ø 2.5 mm bend: Art. No. 130679
- Probe tip with ball Ø 1.6 mm straight: Art. No. 130688
- Extension: Art. No. 130686
- Edge finder: Art. No. 130678
- Flat face probe with ball Ø 5 mm: Art. No. 130687